

SECTION 4G

PARKING BRAKE

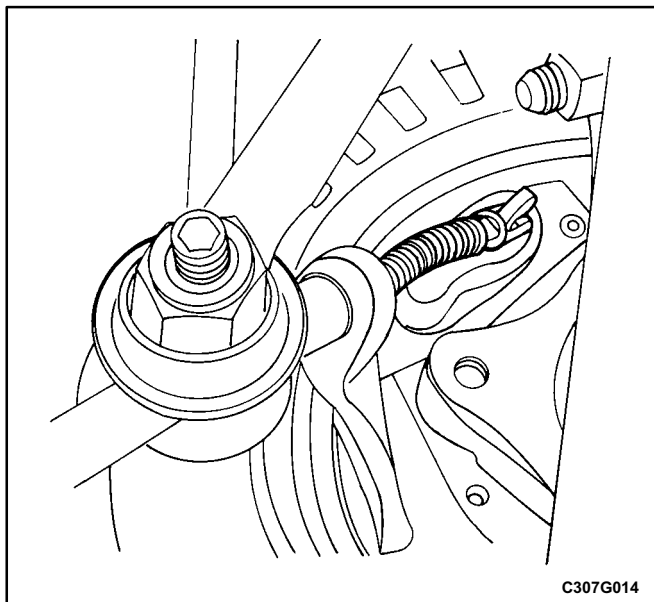
TABLE OF CONTENTS

| | | | |
|--|-------------|---------------------------------------|--------------|
| Specifications | 4G-1 | Parking Brake Lever | 4G-3 |
| Fastener Tightening Specifications | 4G-1 | Parking Brake Cable | 4G-6 |
| Maintenance and Repair | 4G-2 | Parking Brake Handle | 4G-10 |
| On-Vehicle Service | 4G-2 | General Description and System | |
| Parking Brake Adjustment - | | Operation | 4G-12 |
| Rear Disc Brakes | 4G-2 | Parking Brake | 4G-12 |

SPECIFICATIONS

FASTENER TIGHTENING SPECIFICATIONS

| Application | N•m | Lb•Ft | Lb•In |
|---|-----|-------|-------|
| Front Muffler Heat Shield Nuts | 2.5 | - | 22 |
| Keyless Entry Receiver Screws | 10 | - | 89 |
| Parking Brake Cable Bracket to Trailing Link Bracket Nuts | 90 | 66 | - |
| Parking Brake Cable Console Mounting Bracket Nuts | 25 | 18 | - |
| Parking Brake Cable Nut | 12 | - | 106 |
| Parking Brake Lever Assembly to Vehicle Underbody Bolts | 20 | 15 | - |
| Parking Brake Switch to Parking Brake Lever Screw | 4 | - | 35 |



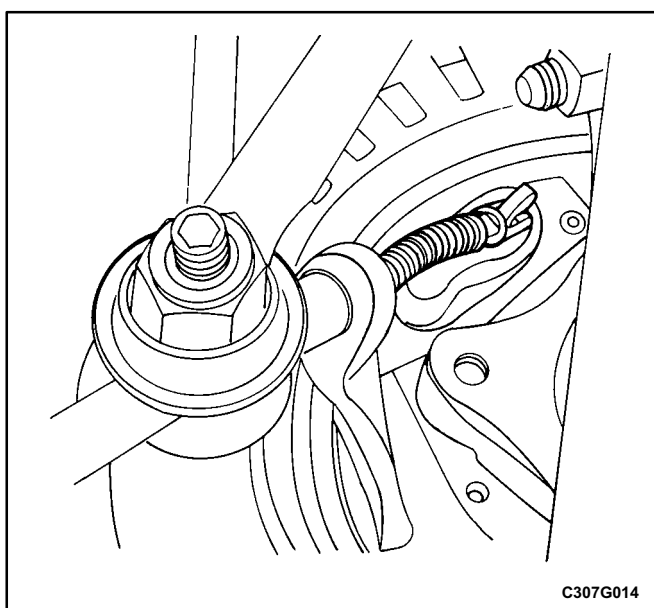
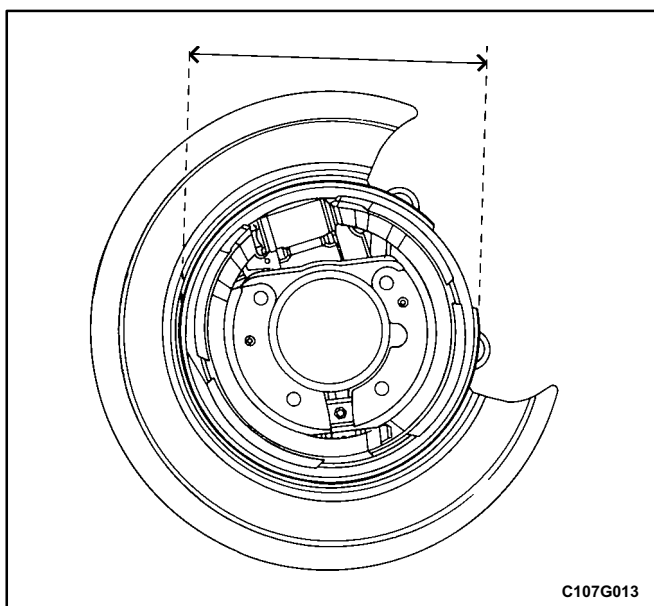
MAINTENANCE AND REPAIR

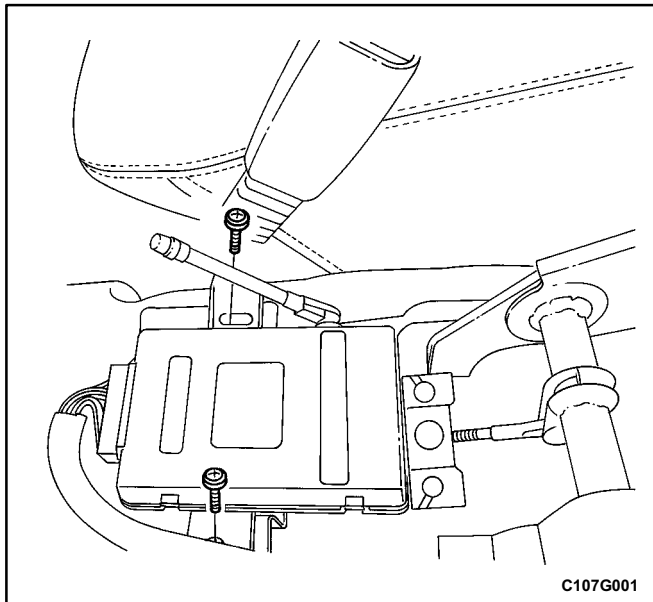
ON-VEHICLE SERVICE

PARKING BRAKE ADJUSTMENT - REAR DISC BRAKES

Adjustment Procedure

1. Release the parking brake.
2. Raise and suitably support the vehicle.
3. Remove the rear wheels. Refer to *Section 2E, Tires and Wheels*.
4. Remove the caliper and rotor assemblies. Refer to *Section 4E, Rear Disc Brakes*.
5. Disconnect the parking brake cable from the backplate operating lever on each side of the vehicle.
6. Inspect and replace any parts of doubtful strength or quality because of discoloration from heat or stress.
7. Using a vernier caliper, adjust the shoe assembly to 167.6 to 167.8 mm (6.60 to 6.61 inches) by turning the adjuster nut clockwise to increase the diameter.
8. Install the caliper and rotor assemblies. Refer to *Section 4E, Rear Disc Brakes*.
9. Install the rear wheels. Refer to *Section 2E, Tires and Wheels*.
10. Install the parking brake cable to the backplate lever on each side of the vehicle.
11. In the vehicle cabin, pull on the parking brake handle and stop after hearing two clicks.
12. Turn the rear wheel by hand until the wheel begins to drag.
13. Release the parking brake.
14. Turn the rear wheel by hand to check drag and readjust the cable, if necessary.
15. Repeat the process for the other rear wheel and lower the vehicle.

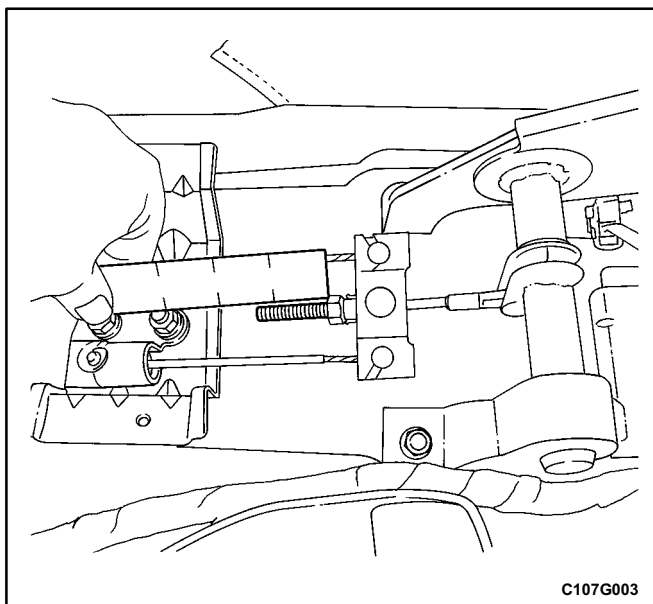




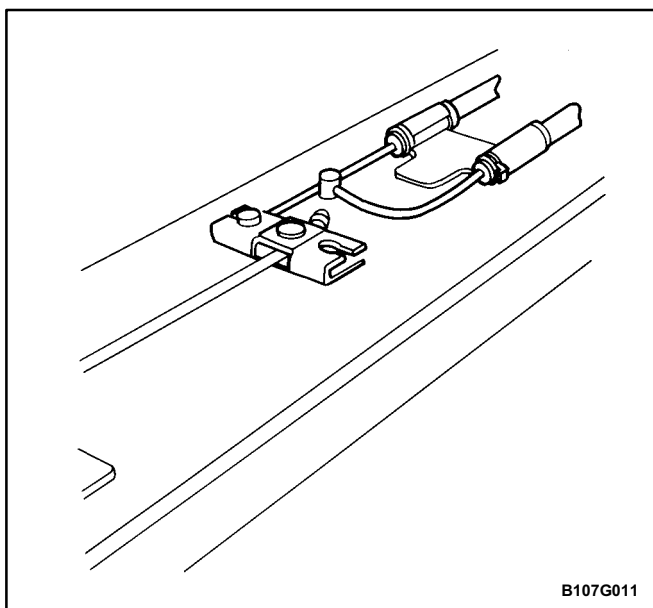
PARKING BRAKE LEVER

Removal Procedure

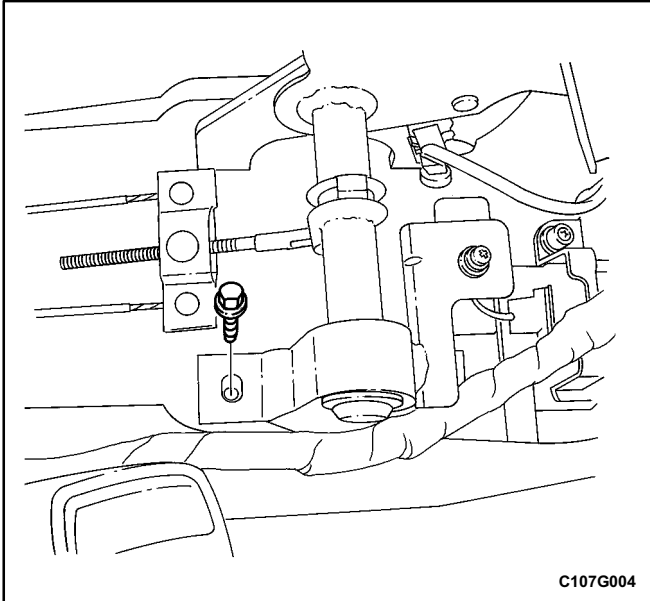
1. Release the parking brake.
2. Remove the parking brake/gearshift console hood. Refer to *Section 9G, Interior Trim*.
3. If necessary, remove the screws and washers securing the keyless entry receiver to the underbody bracket.



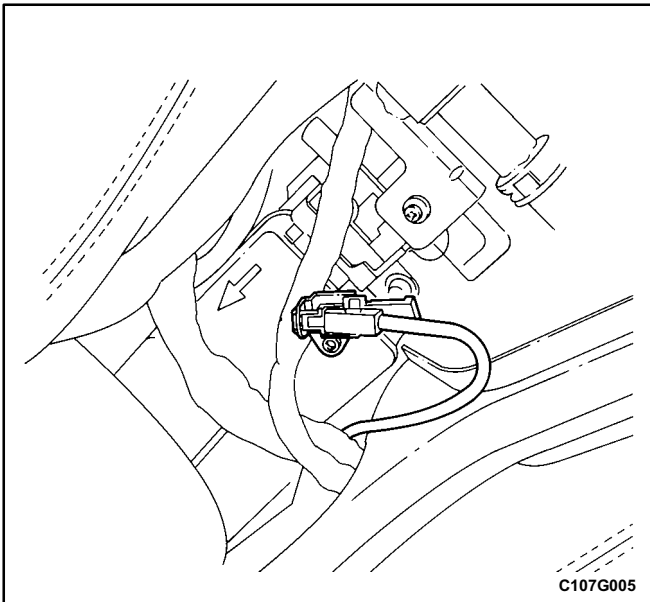
4. Measure the thread length from the end of the pull rod to the hex nut.



5. Loosen the parking brake adjustment nut from the eye bolt pull rod of the parking brake lever assembly.
6. Remove the parking brake cable ends from the equalizer.

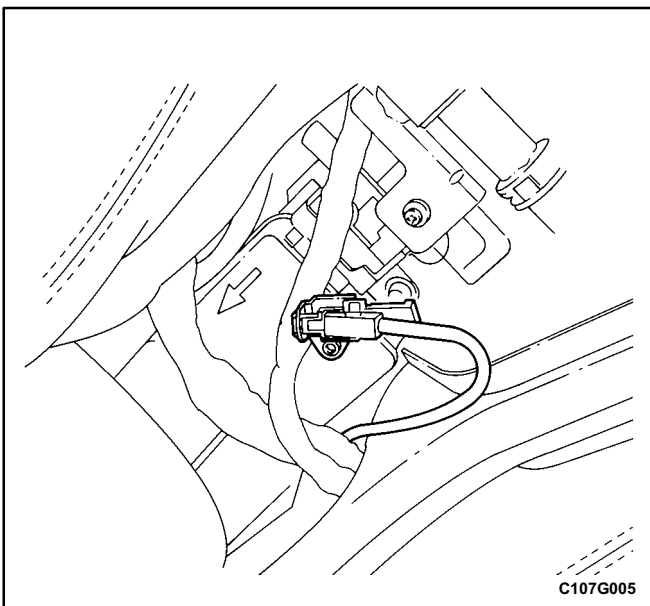


7. Remove the bolts and washers which secure the complete parking brake lever assembly to the underbody.



Notice: The parking brake switch should be replaced if the BRAKE warning light in the instrument panel cluster did not glow when the parking brake was applied with the ignition switch ON.

8. If necessary, remove the parking brake switch attached to the parking brake lever assembly by a small screw, and remove the switch.



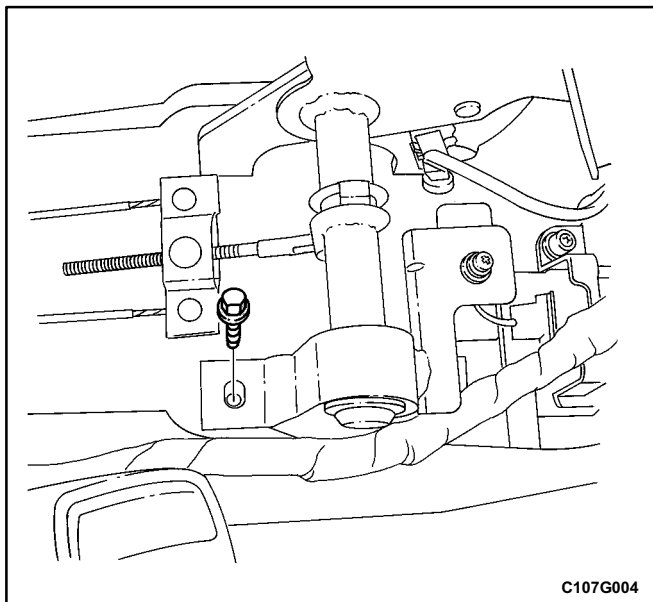
Installation Procedure

Notice: If the parking brake lever is bent or damaged, replace the complete parking brake lever assembly.

1. If necessary, fasten the parking brake switch to the parking brake lever assembly with the screw.

Tighten

Tighten the parking brake switch to parking brake lever screw to 4 N•m (35 lb•in).

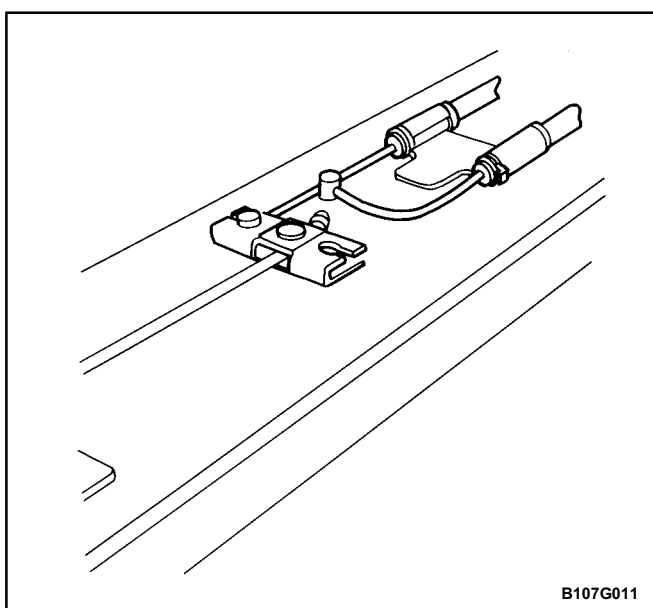


C107G004

2. Install the parking brake lever bolts, and fasten the parking brake lever assembly to the vehicle underbody.

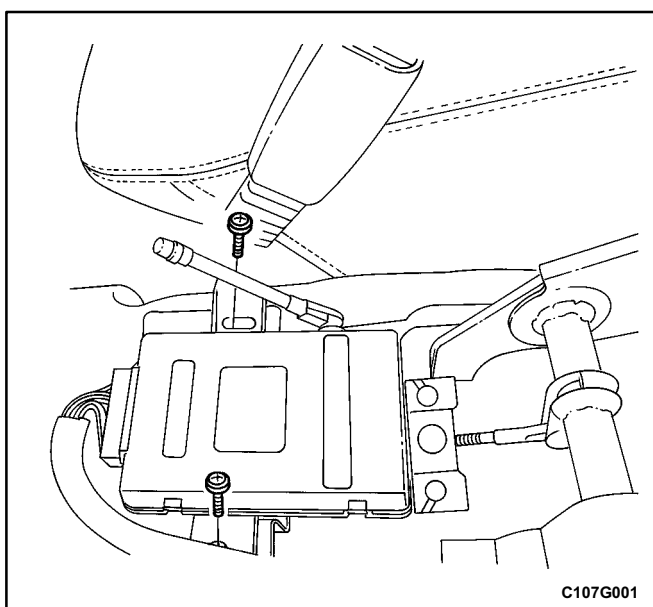
Tighten

Tighten the parking brake lever assembly to vehicle underbody bolts to 20 N•m (15 lb•ft).



B107G011

3. Connect the parking brake cable ends to the equalizer.
4. Check the parking brake adjustment by referring to the original removal adjustment nut measurement taken in the removal procedure. Refer to „Parking Brake Adjustment” in this section.



C107G001

5. If necessary, install the screws and washers securing the keyless entry receiver to the underbody bracket.

Tighten

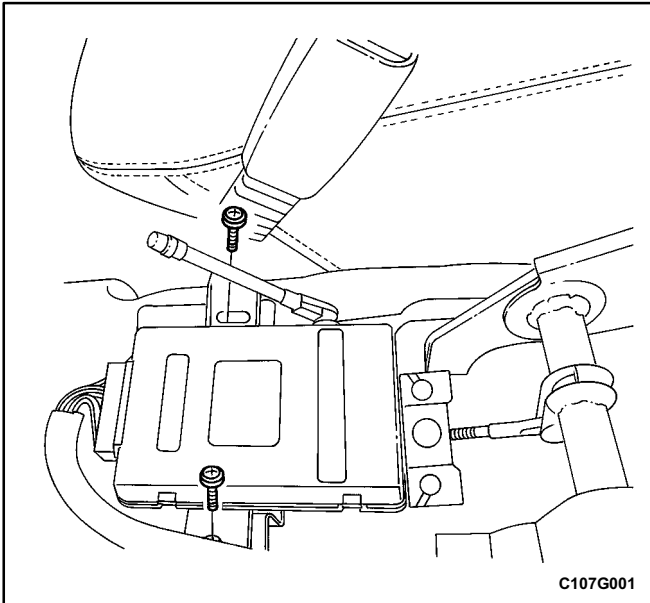
Tighten the screws of the keyless entry receiver to 10 N•m (89 lb•in).

6. Install the parking brake/gearshift console hood. Refer to *Section 9G, Interior Trim*.

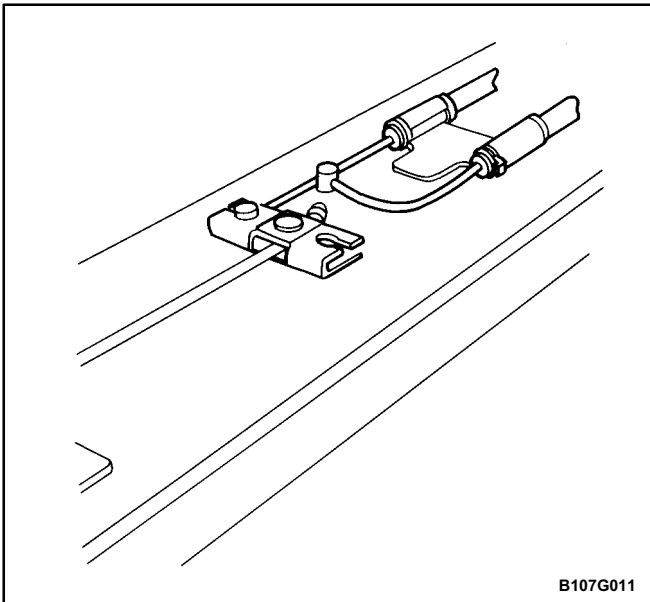
PARKING BRAKE CABLE

Removal Procedure

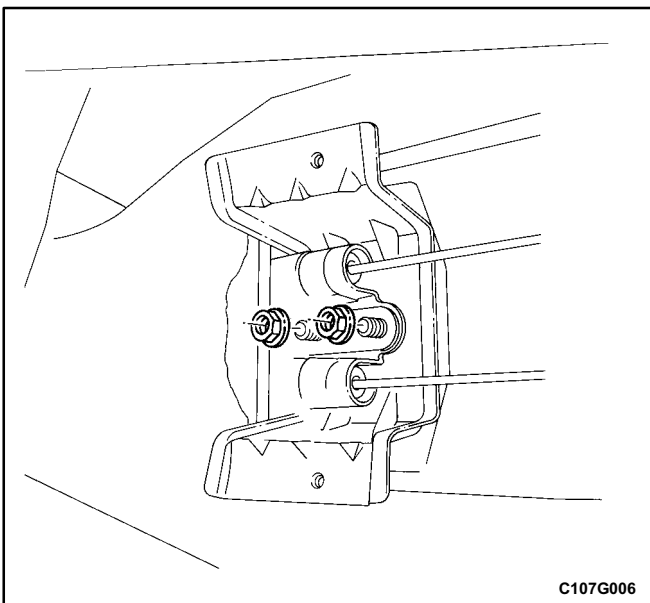
1. Remove the parking brake/gearshift console hood. Refer to *Section 9G, Interior Trim*.
2. If necessary, remove the screws and washers that secure the keyless entry receiver to the body bracket.

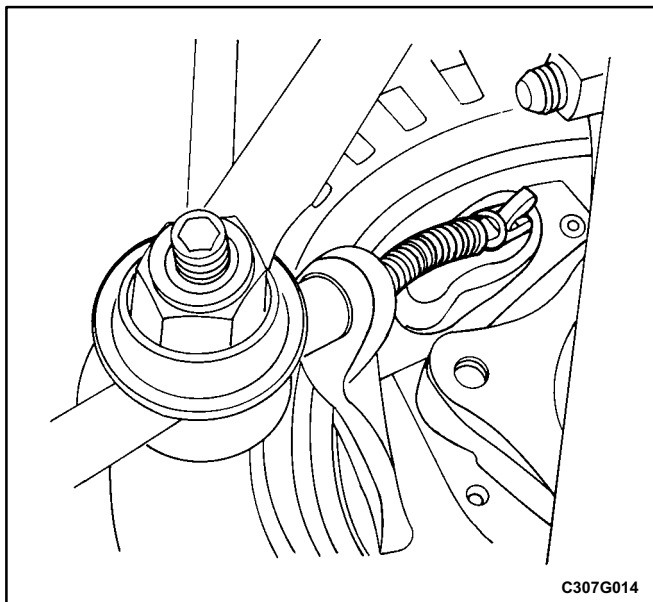


3. Loosen the parking brake adjustment nut from the eyebolt pull rod of the parking brake lever assembly.
4. Remove the parking brake cable ends from the equalizer, and remove the equalizer.

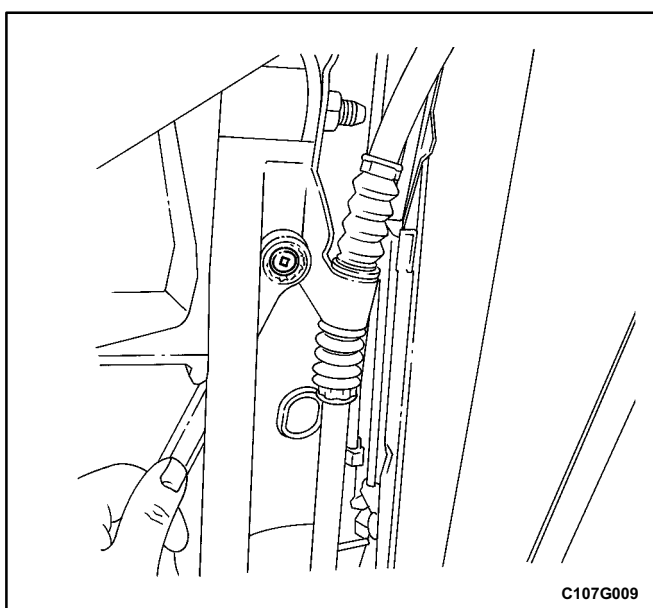


5. Remove the nuts that secure the parking brake cable to the console underbody mounting bracket.
6. Raise and suitably support the vehicle.
7. Remove the rear wheels. Refer to *Section 2E, Tires and Wheels*.

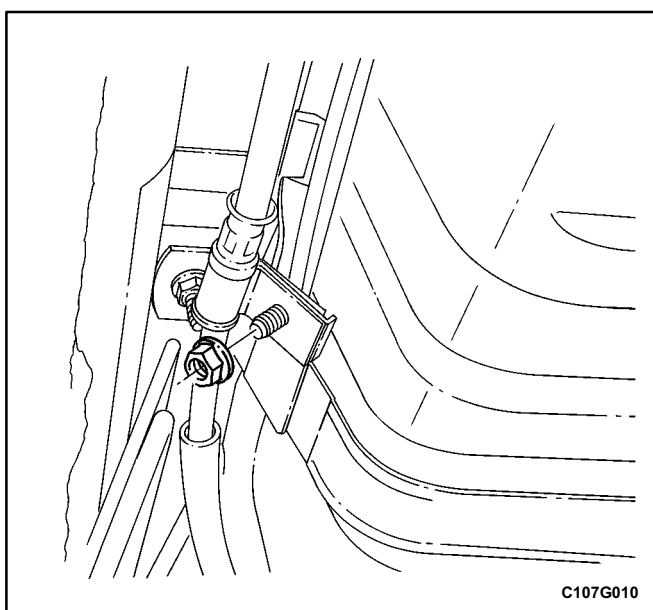




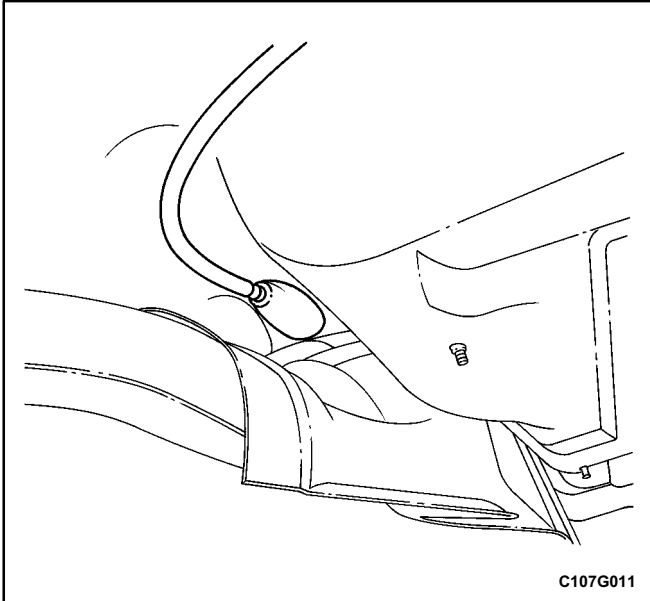
8. Unfasten the parking brake cable from the lever at the rear of the backing plate.
9. Remove the clip that holds the cable into the protruding hole on the rear knuckle assembly.



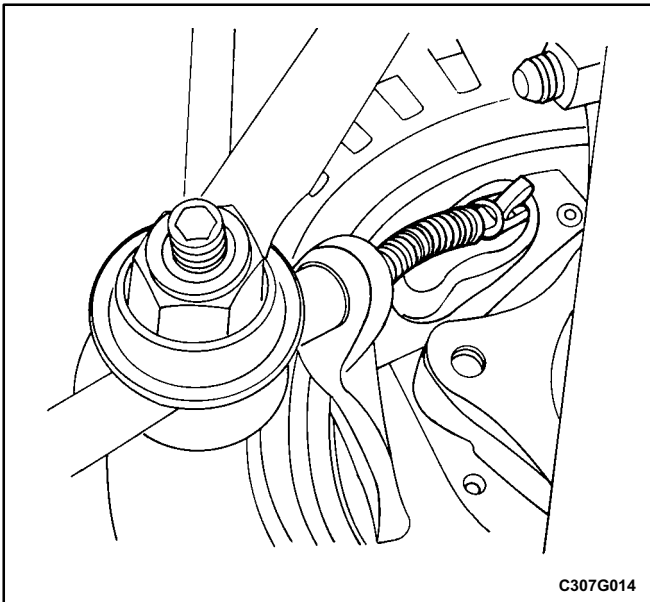
10. Remove the bolt securing the parking brake cable to a holding bracket attached to the trailing link brackets on both the driver and passenger sides of the vehicle.



11. Remove the nut that secures the parking brake cable to the bracket near the fuel tank strap (passenger and driver side).

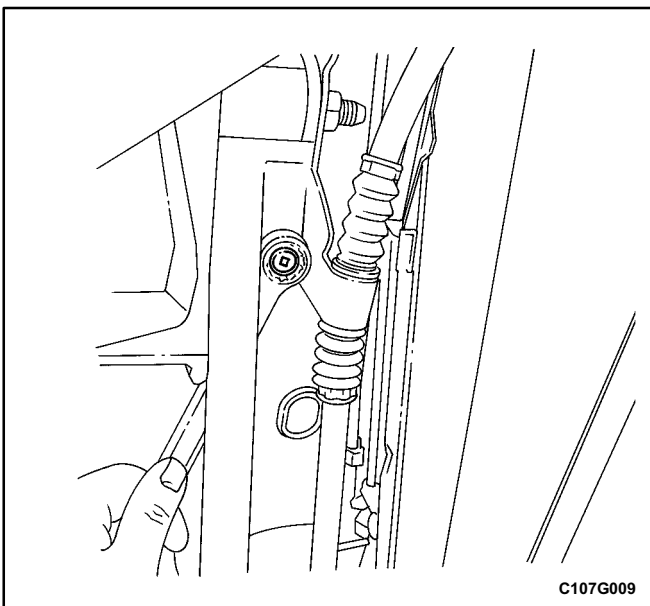


12. Remove the front muffler heat shield nuts, and let the shield rest on the front muffler.
13. Pull out each parking brake cable (and rubber grommet) from its underbody access to the parking brake/gearshift console.



Installation Procedure

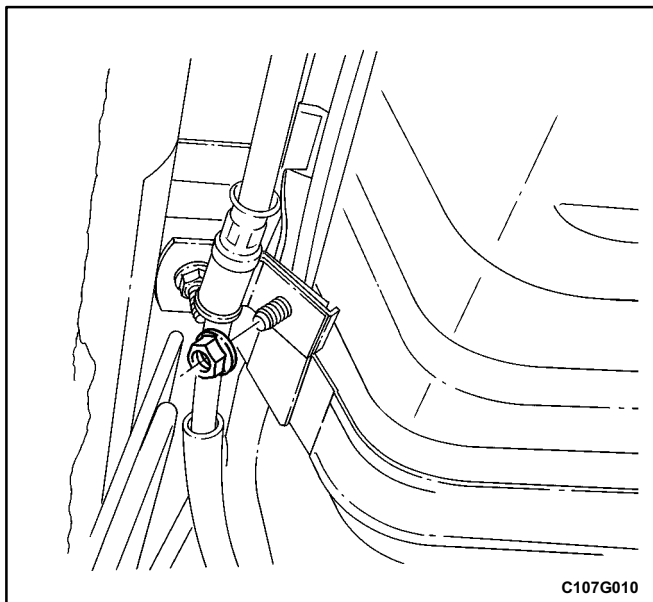
1. Route the parking brake cable to the protruding hole on the rear knuckle assembly.
2. Fasten the parking brake cable to the lever at the rear of the disc brake backing plate.
3. Install the clip that secures the parking brake cable to the protruding hole on the rear knuckle assembly.



4. Install the bolt securing the parking brake cable to a holding bracket attached to the trailing link bracket on both the driver and passenger sides of the vehicle.

Tighten

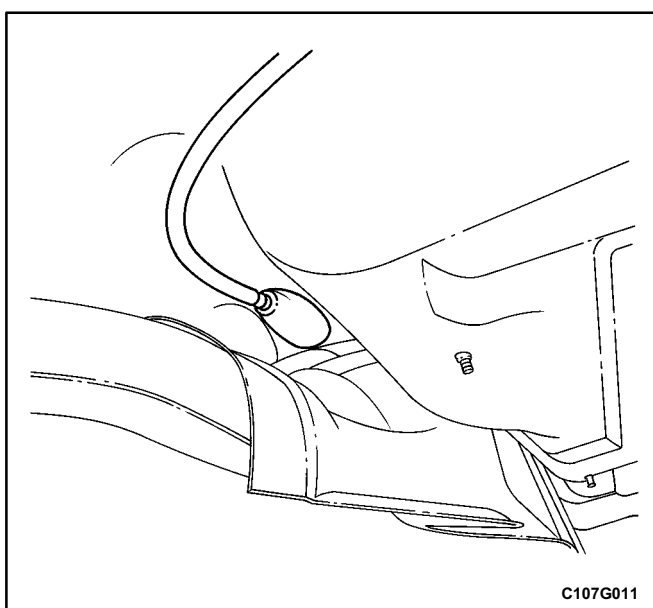
Tighten the parking brake cable bracket to trailing link bracket nuts to 90 N•m (66 lb•ft).



5. Install the nut that secures the parking brake cable to the bracket near the fuel tank strap (passenger and driver side).

Tighten

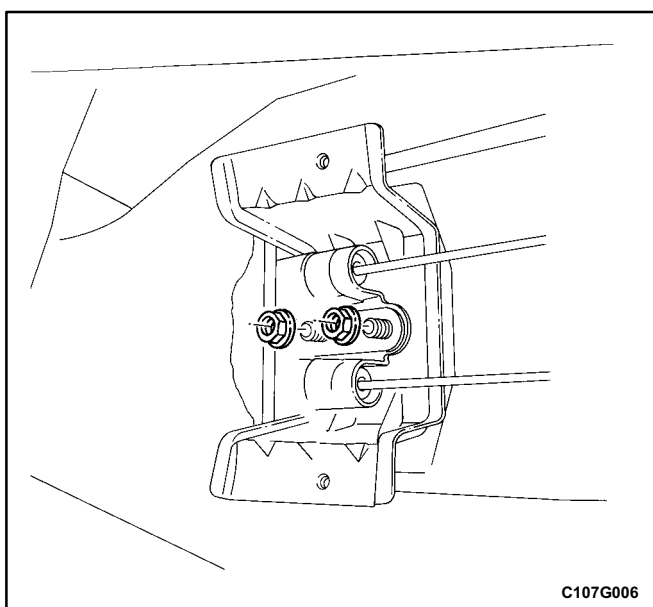
Tighten the parking brake cable nut to 12 N•m (106 lb•in).



6. Route the parking brake cables through the access holes to the parking brake/gearshift console.
7. Install the rubber grommet for each cable.
8. Install the front muffler heat shield.

Tighten

Tighten the front muffler heat shield nuts to 2.5 N•m (22 lb•in).

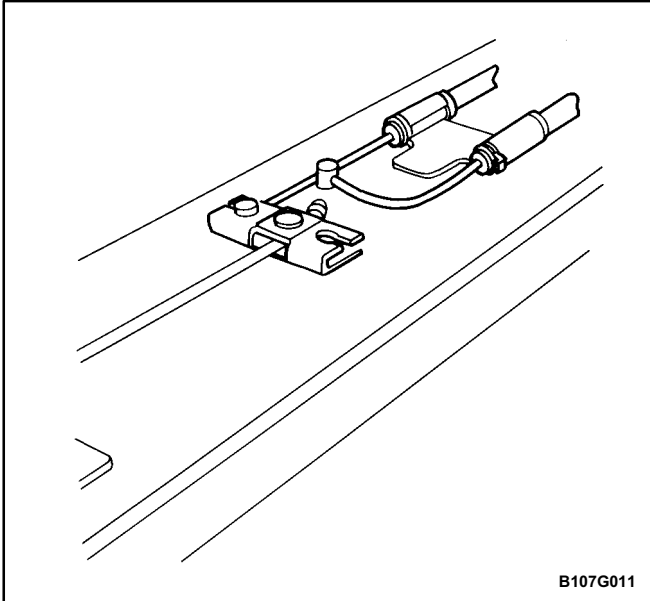


9. Route the parking brake cable through the console to underbody mounting bracket and secure the bracket with the nuts.

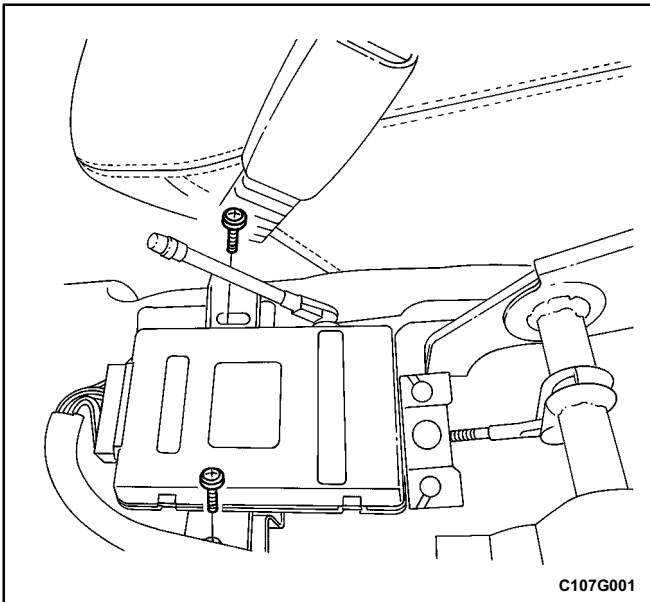
Tighten

Tighten the parking brake cable console mounting bracket nuts to 25 N•m (18 lb•ft).

10. Install the rear wheels. Refer to *Section 2E, Tires and Wheels*.
11. Lower the vehicle.



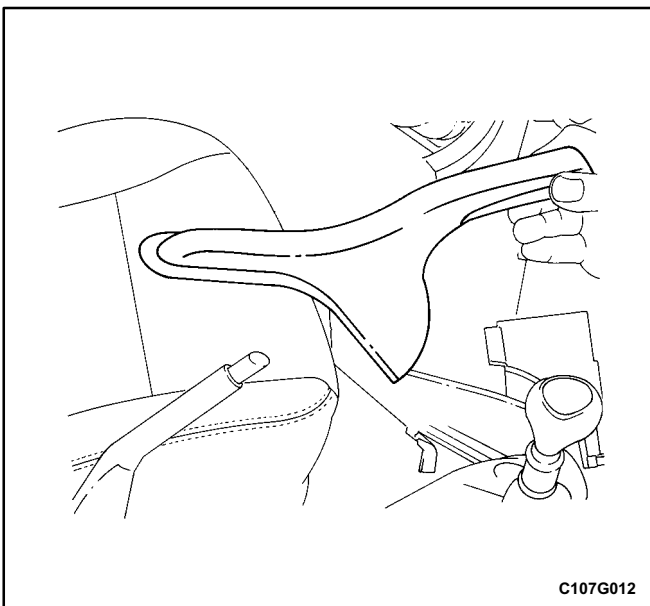
12. Attach the parking brake cable ends to the equalizer.



13. Install the parking brake/gearshift console hood. Refer to *Section 9G, Interior Trim*.
14. Adjust the parking brake. Refer to „Parking Brake Adjustment” in this section.
15. Install the screws and washers securing the keyless entry receiver to the underbody bracket.

Tighten

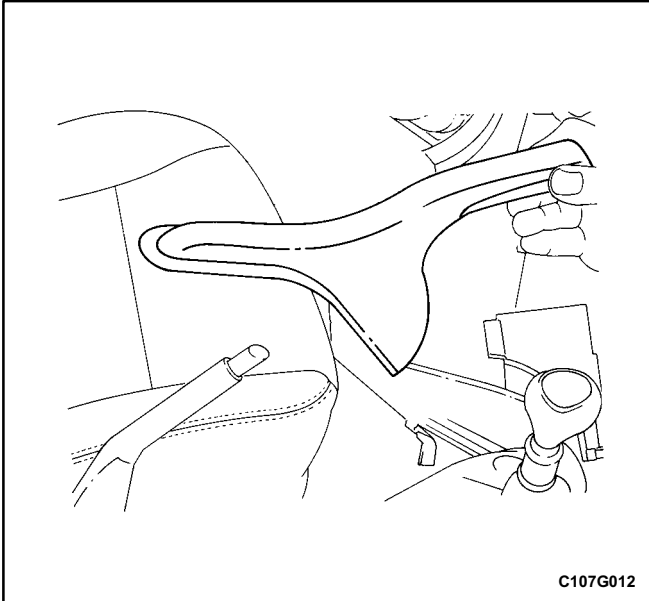
Tighten the keyless entry receiver screws to 10 N•m (89 lb•in).



PARKING BRAKE HANDLE

Removal Procedure

1. Remove the parking brake/gearshift console hood. Refer to *Section 9G, Interior Trim*.
2. Slip the parking brake handle off of the parking brake lever.



Installation Procedure

1. Push the parking brake handle as far as it will go on the parking brake lever.
2. Install the parking brake/gearshift console hood. Refer to *Section 9G, Interior Trim*.

GENERAL DESCRIPTION AND SYSTEM OPERATION

PARKING BRAKE

This braking system uses a BRAKE warning light located in the instrument panel cluster. When the ignition switch is in the START position, the BRAKE

warning light should glow and go OFF when the the ignition switch returns to the RUN position. Whenever the parking brake is applied and the ignition switch is ON, the BRAKE warning light should glow.

When the brake is firmly applied, the parking brake should hold the vehicle with ample pedal travel remaining. Check for frayed cables, rust, etc. or any condition that may inhibit present (or future) free movement of the parking brake lever assembly.